

## INDUSTRIAL DIESEL ENGINE

Kubota 05 Series (3-Cylinder)

# D1105-E3B (3000 rpm)



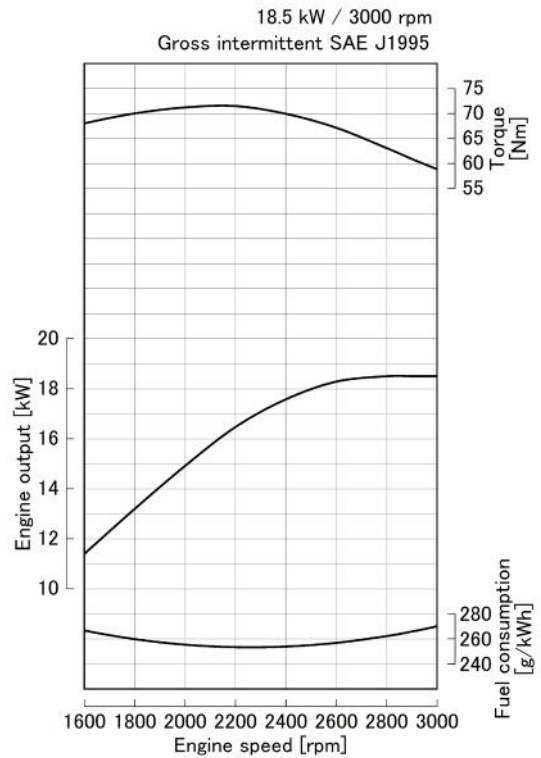
### Rated Power

**18.5 kW @ 3000 rpm**



Photograph may show non-standard equipment.

### Performance Curves



### Features and Benefits

#### Emissions

The D1105 engine complies with EPA / CARB Tier 4 emissions level.

#### Durable Power

The Kubota 05 Series is an established leader in its horsepower range, selected as the power source of choice by various industrial equipment manufacturers.

The D1105 engine offers a seamless transition from EPA Tier 2 to EPA Tier 4 by maintaining the same footprint and hardware mounting points with minimal performance changes from EPA Tier 2 engines.

#### Clean and Quiet Power

Kubota's original E-TVCS (Three Vortex Combustion System) has been improved. The combustion chamber and piston recess have been optimized to achieve lower particulate matter (PM) levels.

# D1105-E3B (3000 rpm)

## Engine Specifications

<b>Engine model</b>		D1105-E3B (3000 rpm)
<b>Emission regulation</b>		EPA/CARB Tier 4 level
<b>Type</b>		Vertical, water cooled 4-cycle diesel engine
<b>Cylinders</b>		3
<b>Bore and stroke</b>	mm (in)	78.0 x 78.4 (3.07 x 3.09)
<b>Displacement</b>	L (cu.in)	1.123 (68.53)
<b>Aspiration</b>		Naturally aspirated
<b>Aftertreatment</b>		-
<b>Rated output / speed</b> *1	kW (HP) / rpm	18.5 (24.8) / 3000
<b>Maximum torque / speed</b> *1	Nm (lb-ft) / rpm	71.5 (52.7) / 2200
<b>Combustion system</b>		Indirect injection
<b>Fuel system</b>		In-line pump
<b>Length x Width x Height</b> *2 (without aftertreatment unit)	mm (in)	480 x 396 x 605 (18.9 x 15.6 x 23.8)
<b>Length x Width x Height</b> *3 (with aftertreatment unit)	mm (in)	-
<b>Dry weight</b> *3	kg (lbs)	93 (205)

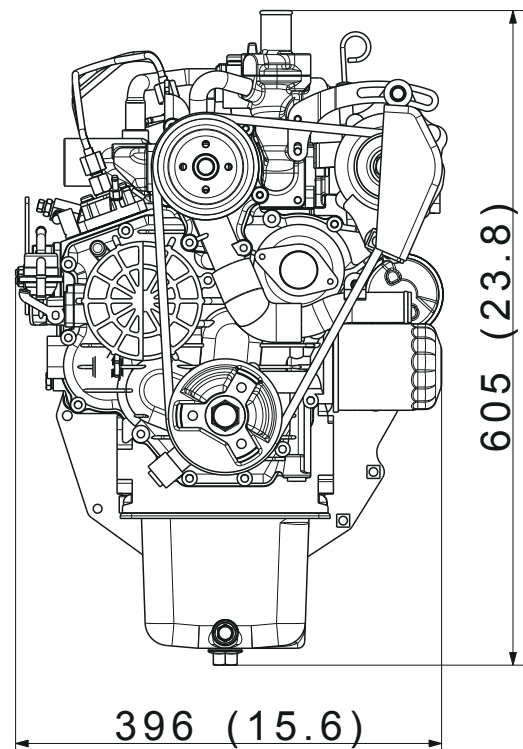
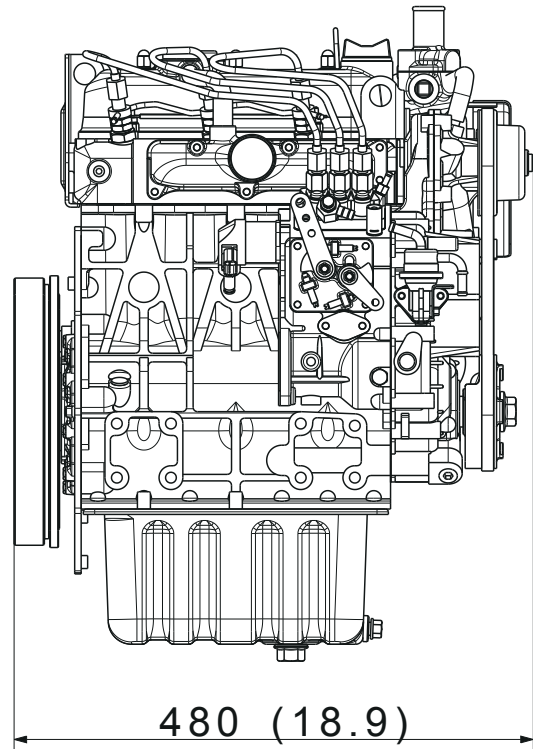
Specifications are subject to change without notice.  
Dimensions and dry weight are according to Kubota's standard specification.  
Dimensions and weight depend on completed specifications.

\*1: SAE J1995 gross intermittent

\*2: Exclude cooling fan and exclude aftertreatment unit

\*3: Exclude cooling fan and include aftertreatment unit on engine

## Dimensions



## Kubota Corporation

2-47, Shikitsuhigashi 1-chome Naniwa-ku, Osaka, 556-8601 Japan

<https://global.engine.kubota.co.jp/en/>

ASP-D1105-E3B301808-R1-I