

INDUSTRIAL DIESEL ENGINE

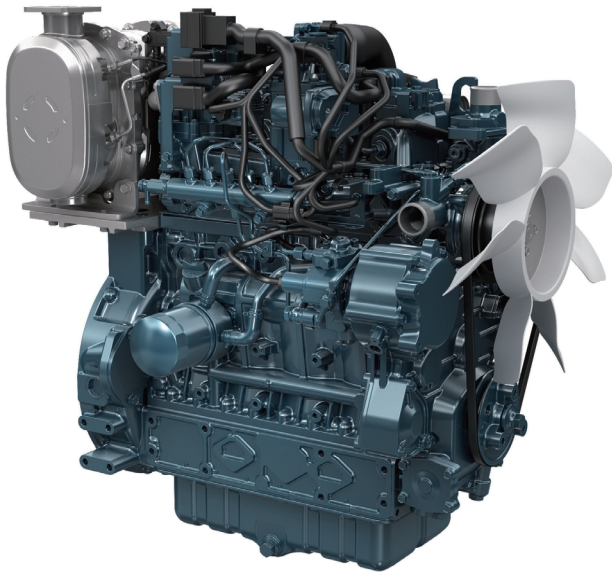
Kubota V3 Series (4-Cylinder)

V3800-CR-TE5



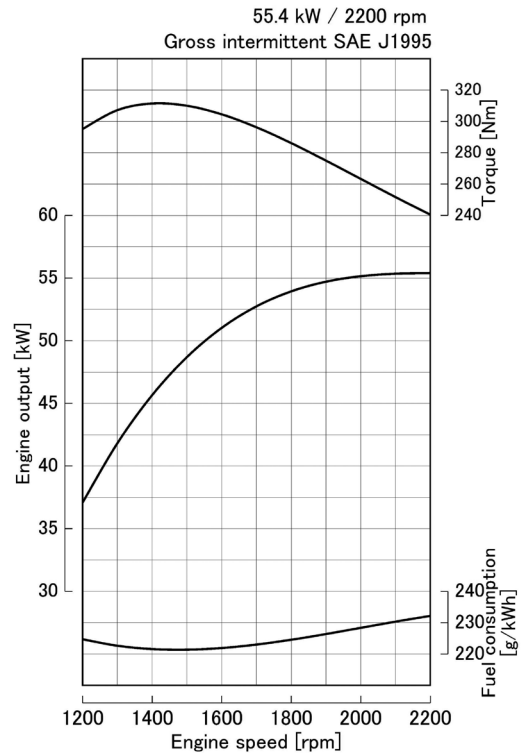
Rated Power

55.4 kW @ 2200 rpm



Photograph may show non-standard equipment.

Performance Curves



Features and Benefits

Proven Reliability and Technology

The latest technology and strong performance - two things customers expect from Kubota engines. We continue to provide both through the pursuit of excellence in emissions compliance and progress toward fully electronic controlled engines. These key areas allow Kubota to offer flexibility in the products and services we provide to customers worldwide.

Clean and Quiet Power

A common rail system has made it possible to optimize combustion and create a more durable and quieter engine with higher fuel efficiency. This engine model is available with DPF + DOC aftertreatment.

Emissions Compliance

Meeting rigid emissions regulations can be a challenge for any company. V3800-CR-TE5 engine has been designed to comply with stringent regulation: EU Stage V. In addition, innovative emissions solutions, such as the use of aftertreatment units, have also been integrated into the engines.

Trust

Kubota V3 Series engines are the ideal solution for your company's global marketing strategy. We continuously strive to meet your needs with the experience and expertise that is your due.

V3800-CR-TE5

Engine Specifications

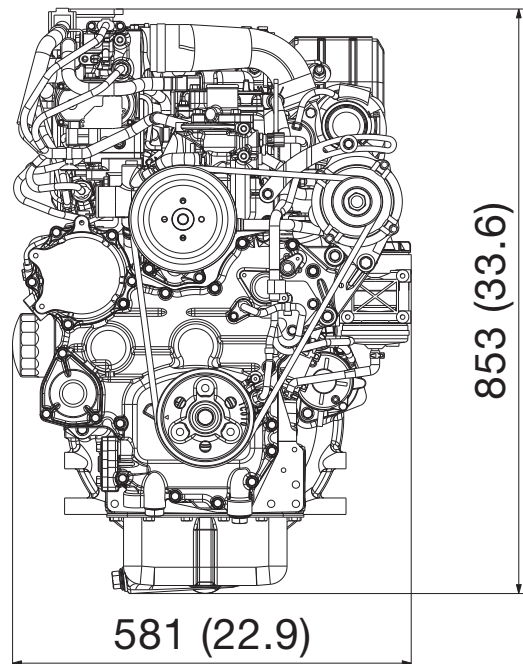
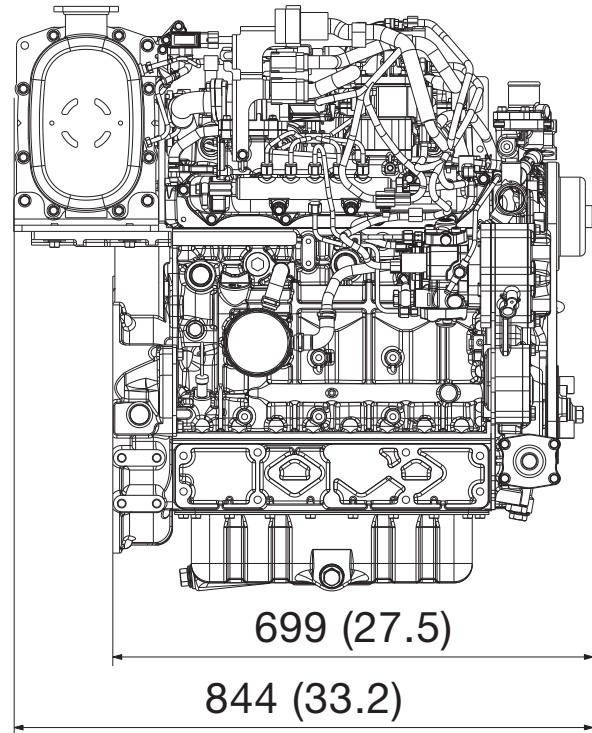
Engine model		V3800-CR-TE5
Emission regulation		EU Stage V
Type		Vertical, water cooled 4-cycle diesel engine
Cylinders		4
Bore and Stroke	mm (in)	100.0 × 120.0 (3.937 × 4.724)
Displacement	L (cu.in)	3.769 (230.0)
Aspiration		Turbocharged
Aftertreatment		Diesel Oxidation Catalyst (DOC) + Diesel Particulate Filter (DPF)
Rated output / speed *1	kW (HP) / rpm	55.4 (74.3) / 2200
Maximum torque / speed *1	Nm (lb-ft) / rpm	310.0 (228.6) / 1500
Combustion system		Direct Injection
Fuel system		Common Rail System
Exhaust Gas Recirculation (EGR)		External EGR
Length x Width x Height *2 (with aftertreatment unit)	mm (in)	844 × 581 × 853 (33.2 × 22.9 × 33.6)
Dry weight *2	kg (lb)	325 (717)

Specifications are subject to change without prior notice.
Dimensions and dry weight are according to Kubota's standard specification.
Dimensions and weight depend on completed specifications.

*1: Gross intermittent SAE J1995

*2: Included ATU, excluded cooling fan

Dimensions



Kubota Corporation

2-47, Shikitsuhigshi 1-chome Naniwa-ku, Osaka, 556-8601 Japan

<https://engine.kubota.com/en>

ASP-V3800-CR-TE52109-N0-STD-208098